

---

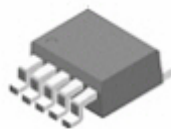
180KHz 60V 5A Switching Current Boost / Buck-Boost / Inverting DC/DC Converter

---

## Features

## General Description

## Applications



TO263-5L

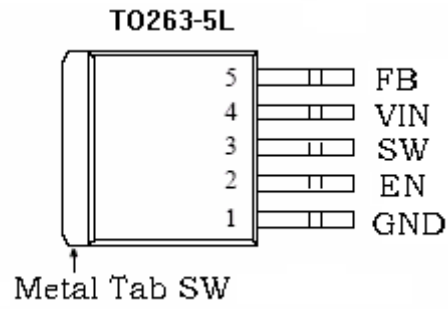
---

---

180KHz 60V 5A Switching Current Boost / Buck-Boost / Inverting DC/DC Converter

---

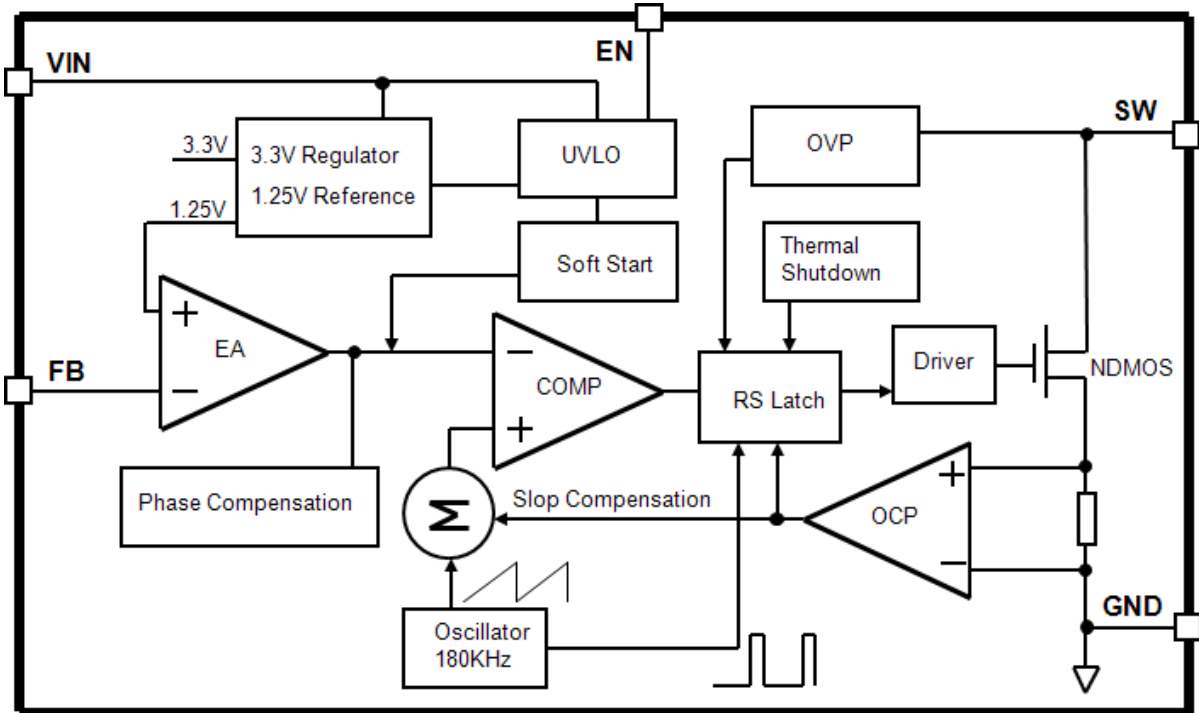
## Pin Configurations



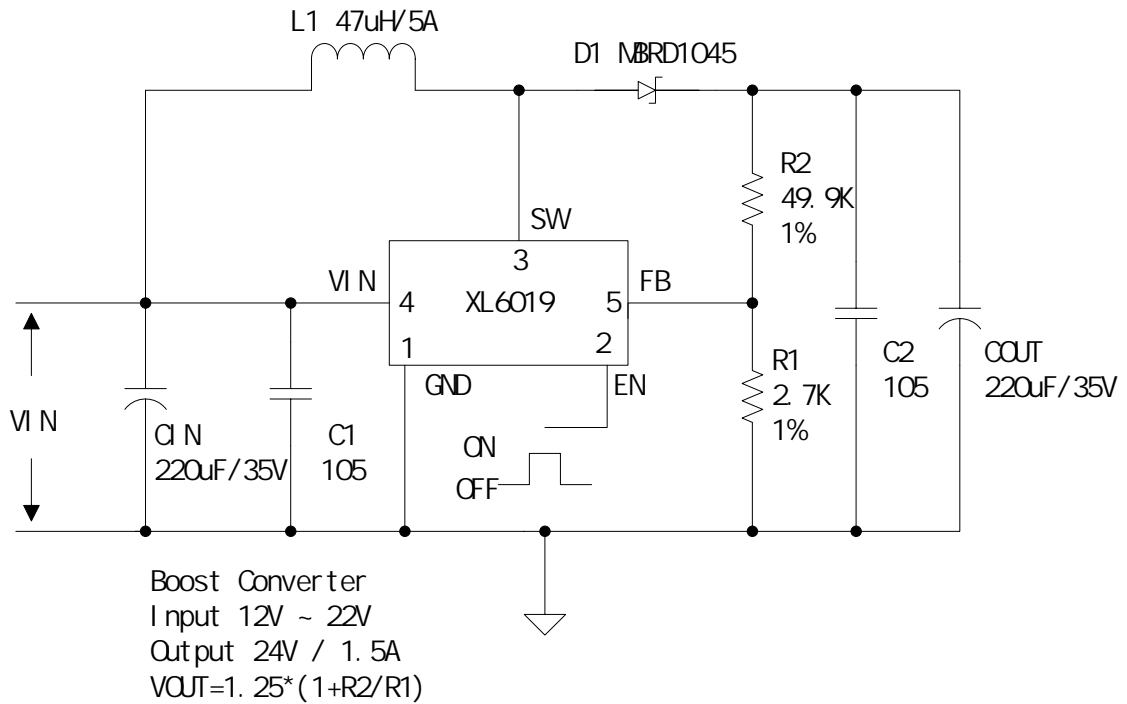
Pin Number	Pin Name	Description

180KHz 60V 5A Switching Current Boost / Buck-Boost / Inverting DC/DC Converter

### Function Block



### Typical Application Circuit



---

180KHz 60V 5A Switching Current Boost / Buck-Boost / Inverting DC/DC Converter

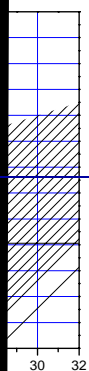
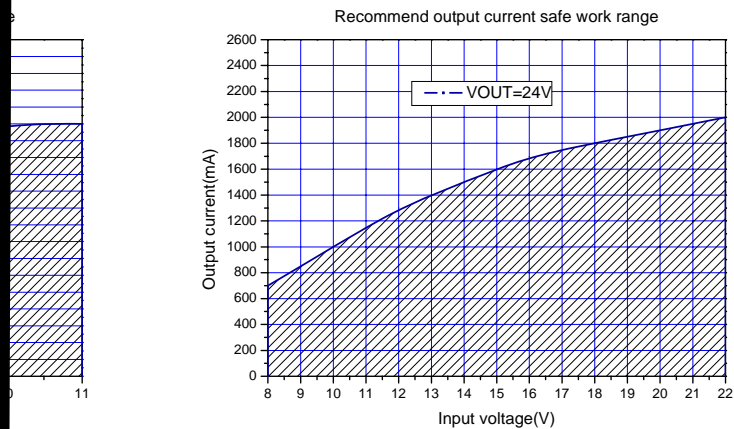
---

## Ordering Information



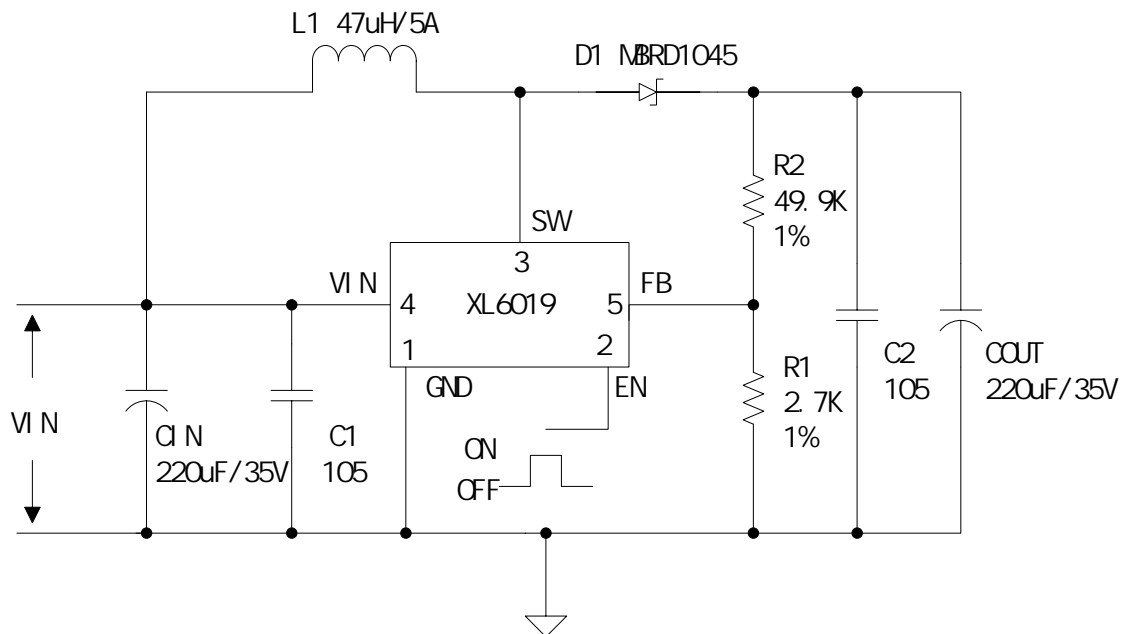
Boost / Buck-Boost / Inverting DC/DC Converter

Recommend output current safe work range)

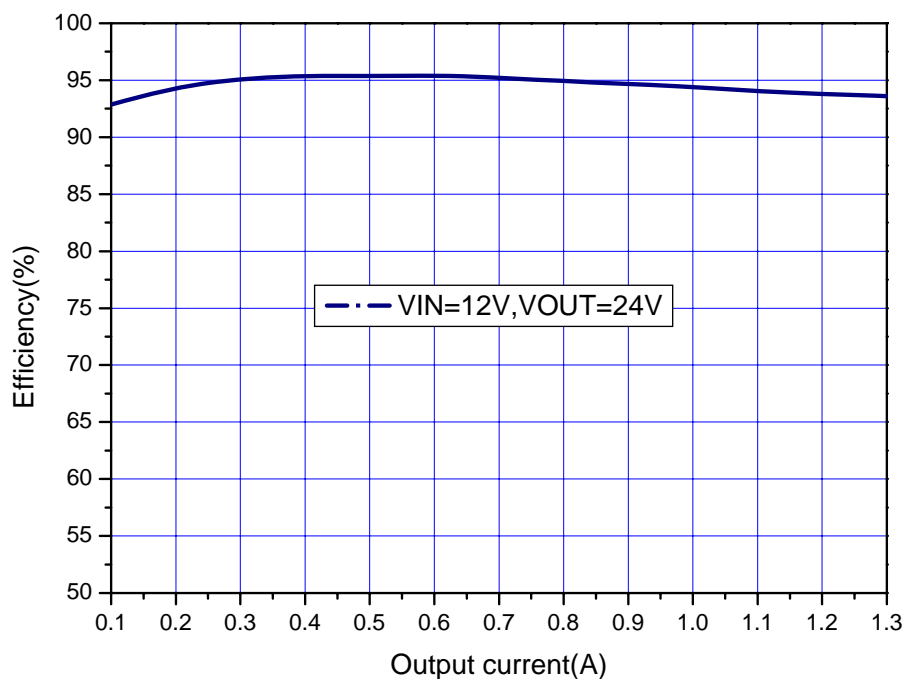


## 180KHz 60V 5A Switching Current Boost / Buck-Boost / Inverting DC/DC Converter

### Typical System Application(VIN=12V,VOOUT=24V)

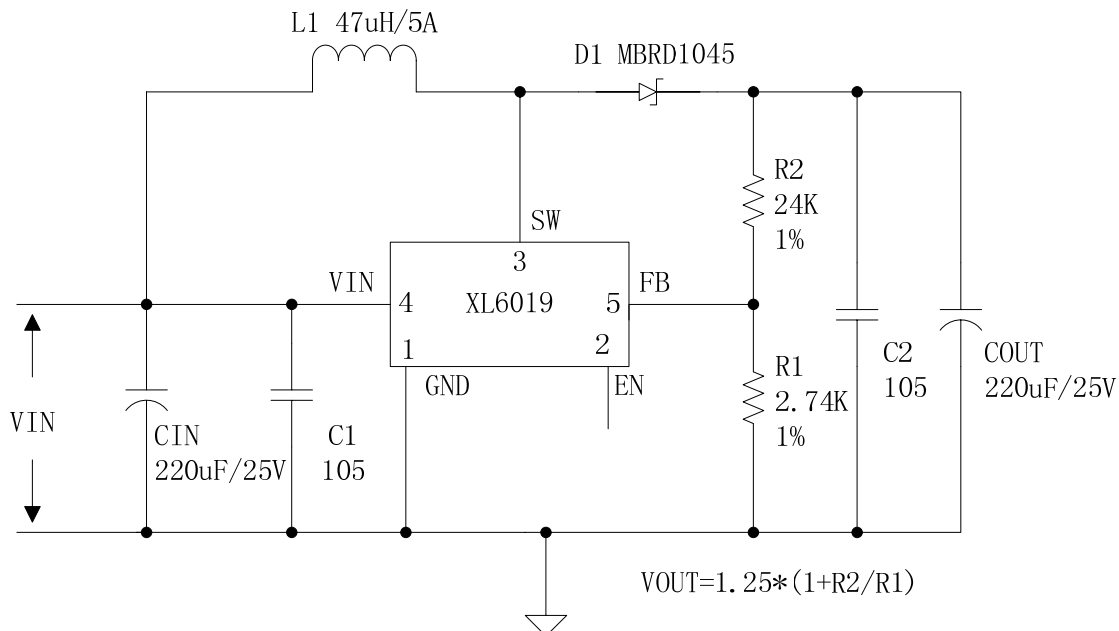


Efficiency VS Output current

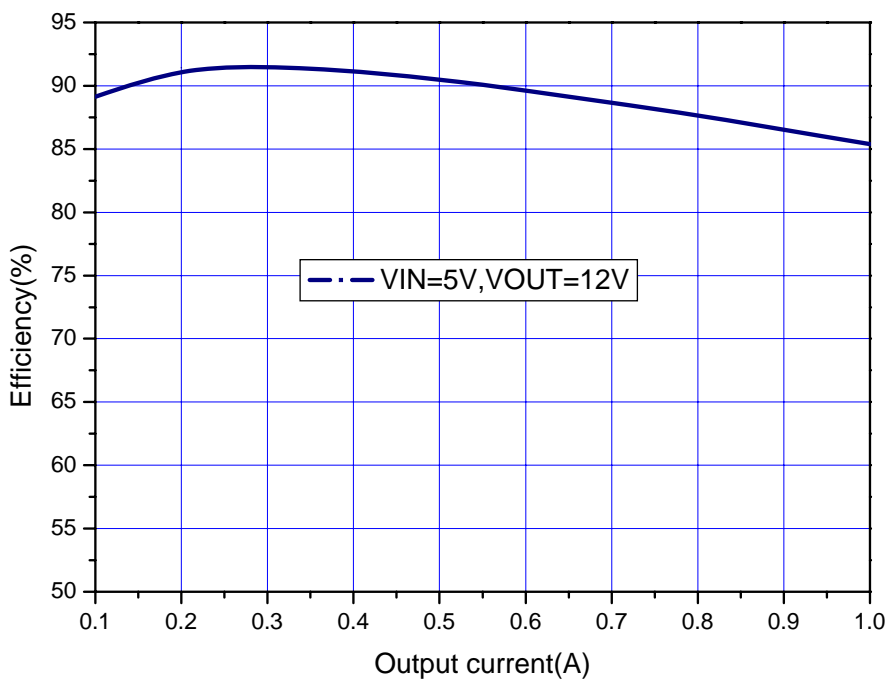


## 180KHz 60V 5A Switching Current Boost / Buck-Boost / Inverting DC/DC Converter

### Typical System Application(VIN=5V,VOUT=12V)



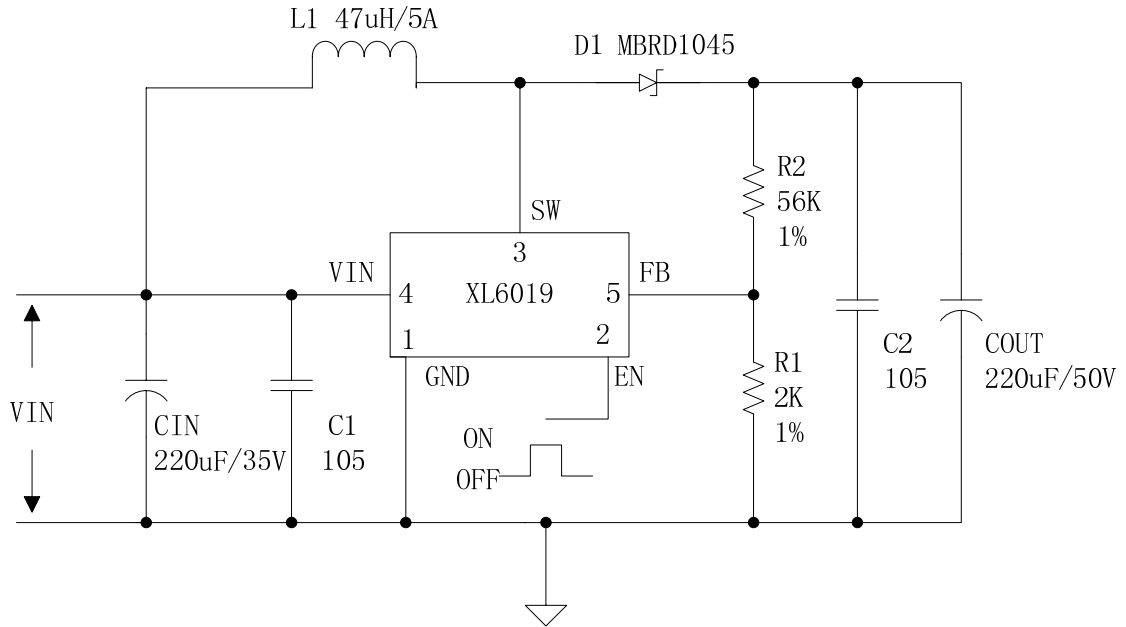
Efficiency VS Output current



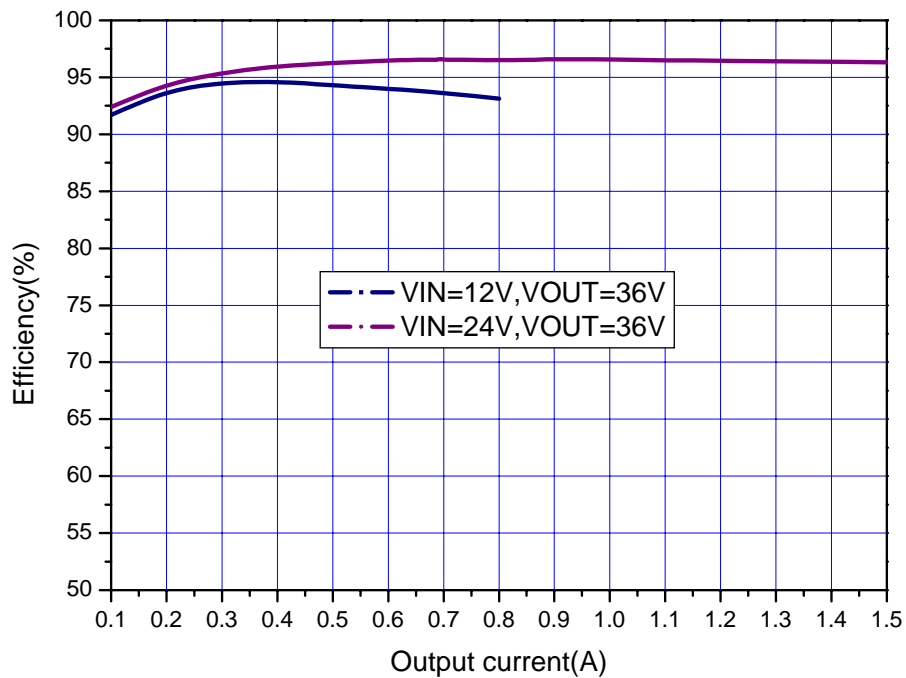


## 180KHz 60V 5A Switching Current Boost / Buck-Boost / Inverting DC/DC Converter

### Typical System Application(VIN=10~32V,VOUT=36V)

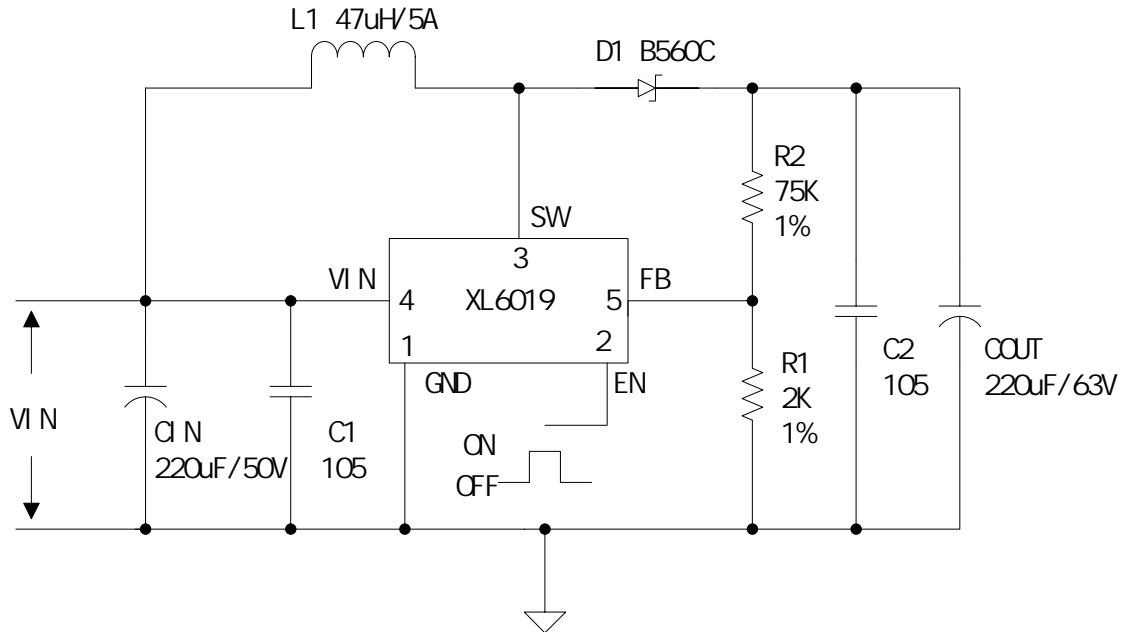


Efficiency VS Output current

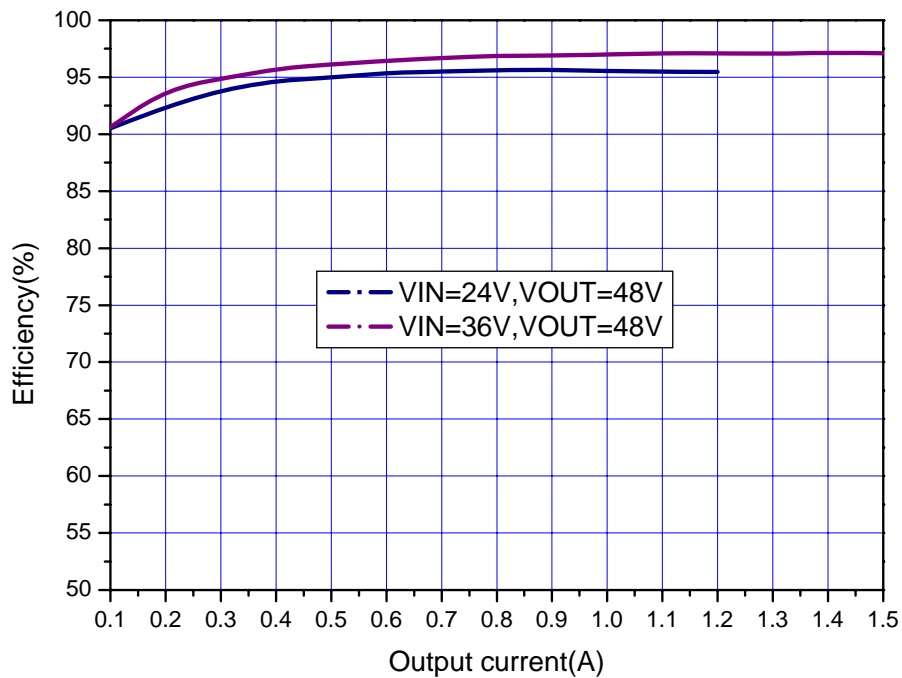


## 180KHz 60V 5A Switching Current Boost / Buck-Boost / Inverting DC/DC Converter

### Typical System Application(VIN=20~40V,VOOUT=48V)

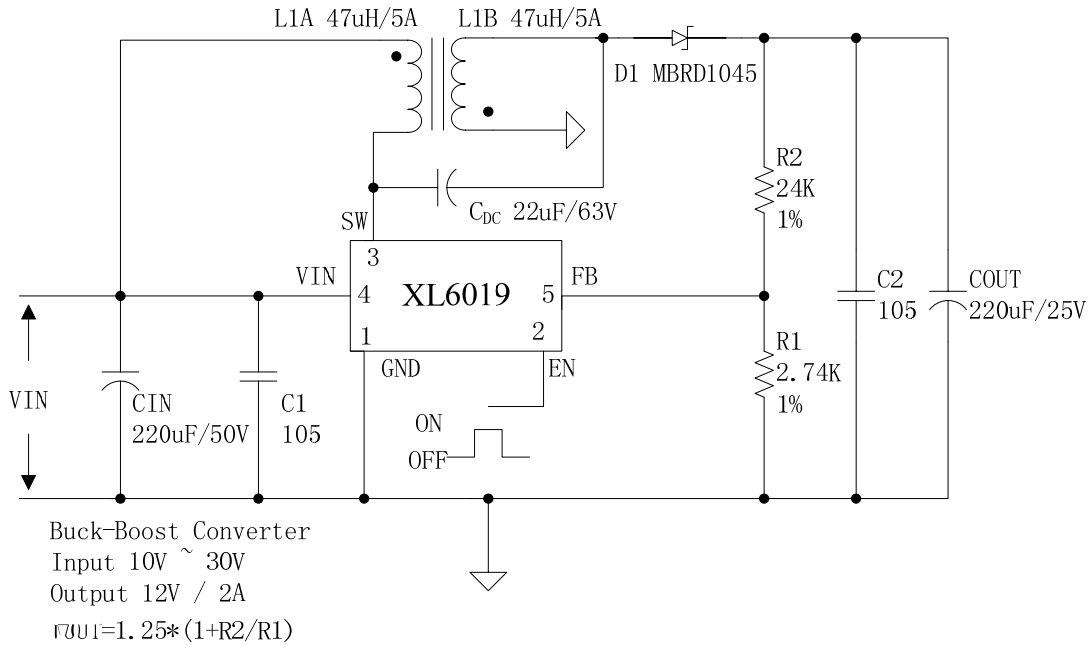


Efficiency VS Output current

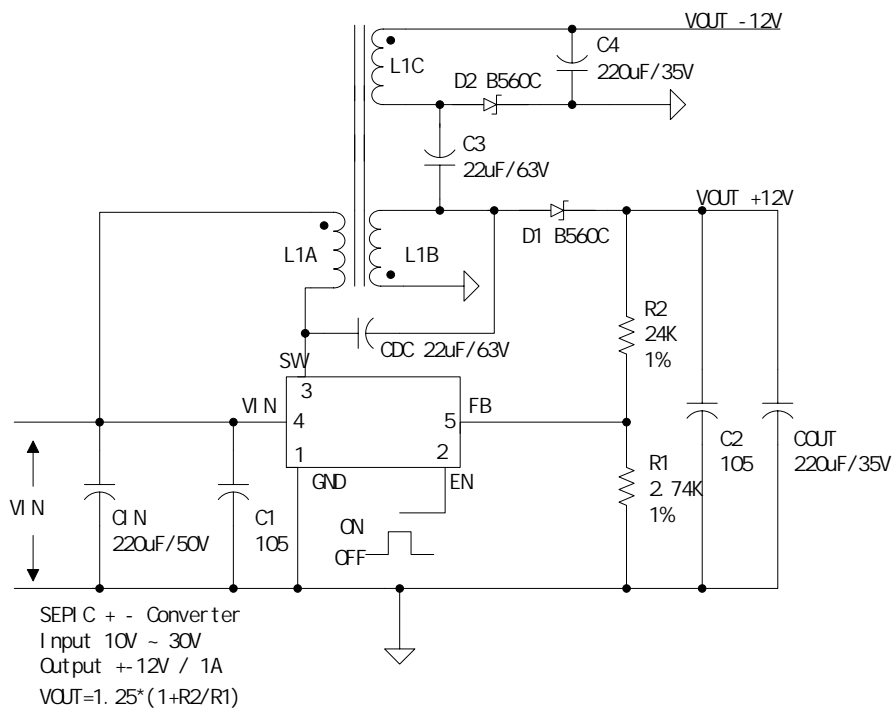


**180KHz 60V 5A Switching Current Boost / Buck-Boost / Inverting DC/DC Converter**

**Typical System Application(VIN=10~30V,VOUT=12V)**



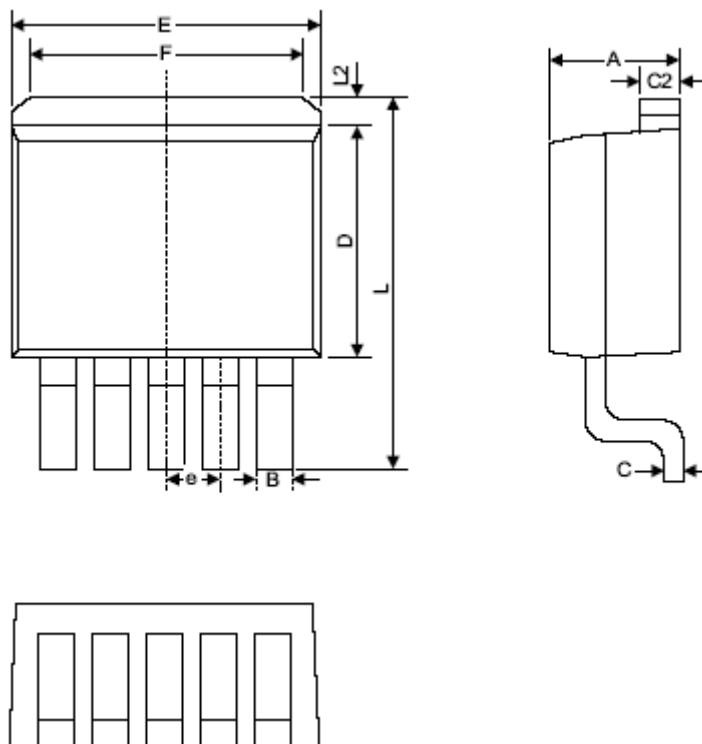
**Typical System Application(VIN=10~30V,VOUT=± 12V)**



180KHz 60V 5A Switching Current Boost / Buck-Boost / Inverting DC/DC Converter

## Package Information

TO263-5L



Symbol

---

180KHz 60V 5A Switching Current Boost / Buck-Boost / Inverting DC/DC Converter

---

## Important Notice