

---

3A 380KHz 23V Buck DC to DC Converter

XL1583

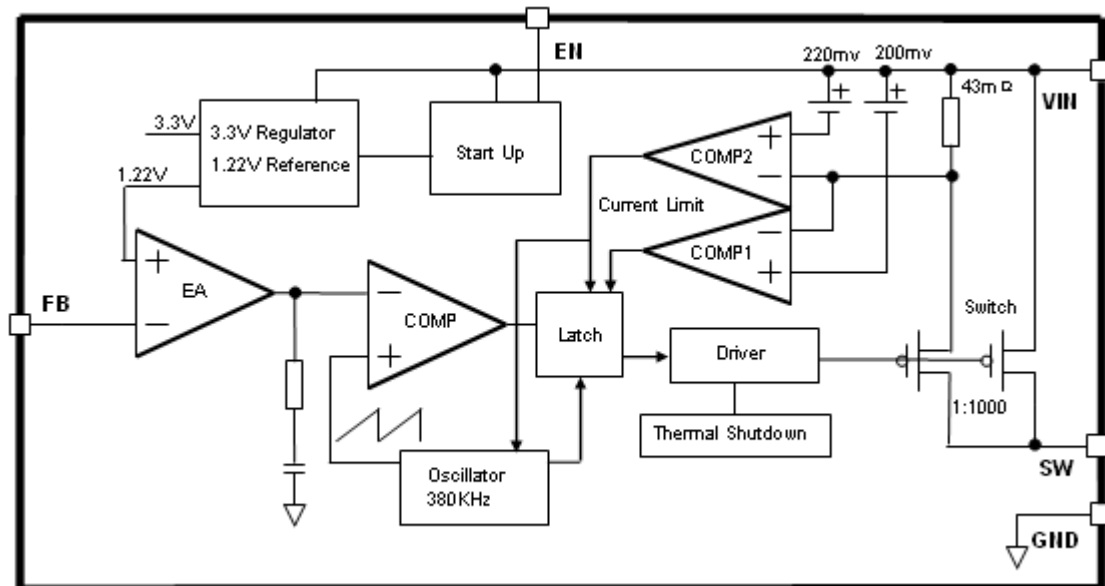
---

## Features

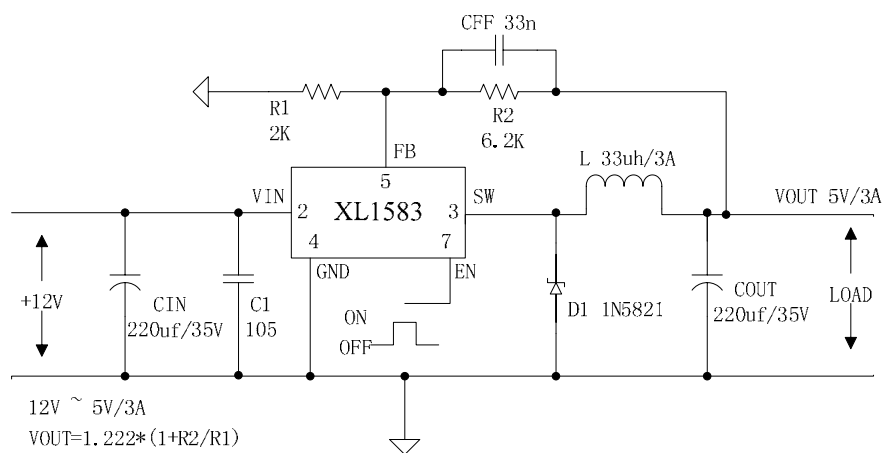
- >
- >
- >
- >
- >
- >
- >
- >
- >
- >
- >
- >
- >
- >



## Function Block



## Typical Application Circuit



---

3A 380KHz 23V Buck DC to DC Converter

XL1583

---

## Ordering Information


## Absolute Maximum Ratings ( Note1 )

Parameter	Symbol	Value	Unit

**Note1:**

---

3A 380KHz 23V Buck DC to DC Converter

XL1583

## XL1583 Electrical Characteristics

Symbol	Parameter	Test Condition	Min.	Typ.	Max.	Unit
<i>System parameters test circuit figure4</i>						

## Electrical Characteristics (DC Parameters)

Parameters	Symbol	Test Condition	Min.	Typ.	Max.	Unit



---

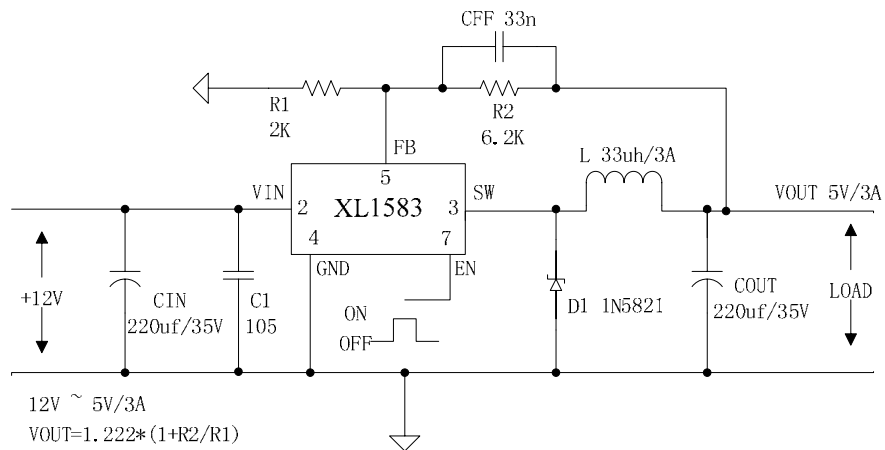
3A 380KHz 23V Buck DC to DC Converter

XL1583

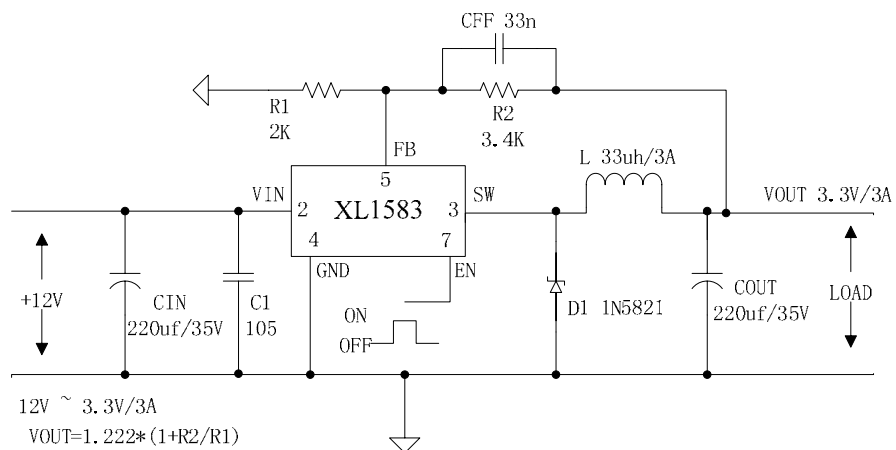
---

### Schottky Diode Selection Table

## Typical System Application for 12V ~ 5V/3A Version



## Typical System Application for 12V ~ 3.3V/3A





## Package Information

### SOP8 Package Mechanical Dimensions

